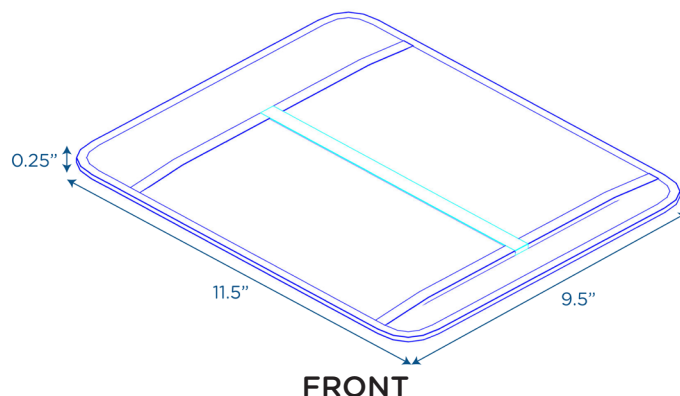




Zipper Board

Zipper manual dexterity learning board

MODEL #: CF361-301



OVERVIEW:

Zipper board teaches fine motor skills. **WARNING:** CHOKING HAZARD-Small Parts - Not for Children under 3 years old.



MATERIALS:

Board is made from sturdy polyethylene and covered in a durable, heavy-duty, cotton/polyester blend material.

BACK

SIDE

Digital Swatches:



Model #	Description	L"	W"	H"	WT lbs.	Cube	FC	Truck Only
CF361-301	Zipper Board	11.5	9.5	0.25	0.39			N
	Shipping Dimensions	11.75	9.875	0.25	0.4	0.02	70	

ADDITIONAL INFORMATION:

AGE RATING: 3 Years & Up

STANDARDS AND TEST COMPLIANCE: "HKGH02165675 July 2017 ASTM, CPSC, SOR, EN, AS/NZS"

GREENGUARD GOLD CERTIFIED: NO

WARRANTY: 2 Years

KEYWORDS: Fine motor skills toys for 2 year old; Fine motor skills toys for 4 year old; Fine motor toys; Fine motor skills toys; Preschool learning toys; Daycare; Classroom; Preschool learning; Preschool; Preschool toys; Preschool activities; Preschool learning activities; manipulatives for preschool; homeschool preschool; Teacher supplies for classroom; nursery; learning board; learning boards for toddlers; Life skills; Early learning toys; Early learning; toddler learning board