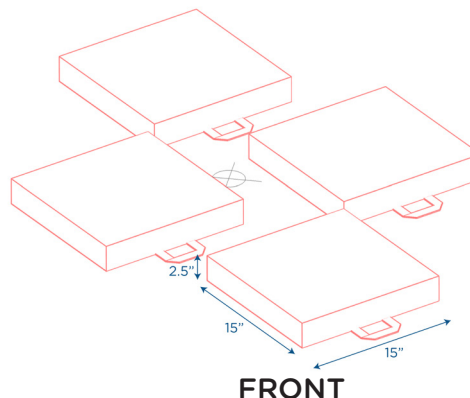




Primary Square Floor Cushions - Set of 4

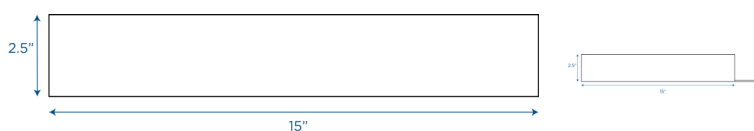
Red, blue, yellow and green square cushions with handles

MODEL #: CF321-164



OVERVIEW:

Cushions are 2-1/2" thick and include an easy carrying handle. Set includes 4 seat cushions including 1 red, 1 blue, 1 green and 1 yellow.



MATERIALS:

Seats are covered in polyurethane with polyester backing and filled with polyurethane foam.

BACK

SIDE

Digital Swatches:



Model #	Description	L"	W"	H"	WT lbs.	Cube	FC	Truck Only
CF321-164	Primary Square Floor Cushions - Set of 4 (single seat)	15	15	2.5	0.7			N
	Shipping Dimensions	16	15.5	10.75	4.05	1.22	250	

ADDITIONAL INFORMATION:

AGE RATING: 10 Months & Up

STANDARDS AND TEST COMPLIANCE: Cover - HKGH02654065 Nov 2020 EN, REACH, ASTM, CPSC, Prop 65, SOR, AS/NZS

FOAM - HKGH02640758 Oct 2020 EN, RACH, ASTM, CPSC, Prop 65, SOR, AS/NZS

GREENGUARD GOLD CERTIFIED: NO

WARRANTY: 2 Year

KEYWORDS: Toddler chairs for boys; Toddler chairs for girls; Toddler chairs; Chair for toddler; Preschool chair; School chair; Classroom chairs Seat cushion foam; floor seat; floor seating; flexible seating; flexible seating for classroom elementary; flexible seating for classroom; flexible seating classroom; floor cushions for kids; kids floor cushion; floor cushions; floor cushions for classroom; floor seats; toddler floor cushion; floor seating for kids; daycare; preschool; playroom; classroom; school