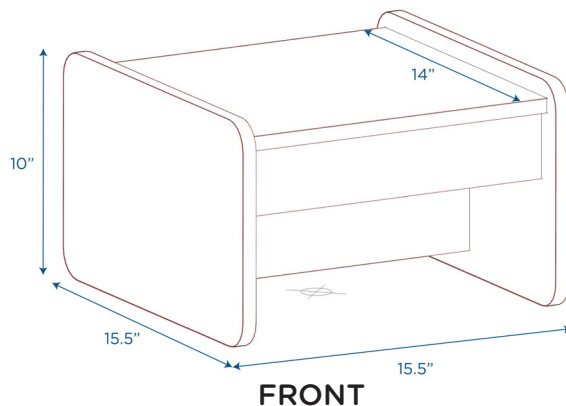




Value Line™ End Table

Wooden children's end table

MODEL #: ANG7184



FRONT



BACK



SIDE

OVERVIEW:

Unit ships unassembled with clear instructions, tools and hardware for easy assembly. End table coordinates with soft flexible seating options and book displays.

MATERIALS:

This unit is constructed from durable, maple-faced melamine panels with a clear, water-based laminate finish that is extremely scratch-, dent- and stain-resistant. Unit features rounded corners for safety.

Digital Swatches:



Model #	Description	L"	W"	H"	WT lbs.	Cube	FC	Truck Only
ANG7184	Value Line™ End Table	15.5	15.5	10	18			N
	Shipping Dimensions	25	16	3	19	0.69	150	

ADDITIONAL INFORMATION:

AGE RATING: General Use

STANDARDS AND TEST COMPLIANCE: N/A

GREENGUARD GOLD CERTIFIED: Yes

WARRANTY: Limited Lifetime

KEYWORDS: Kids reading nook; Reading nook for kids; Homeschool; Classroom décor; Classroom; Classroom furniture; Preschool furniture for classroom; Preschool; Daycare furniture; Daycare; nursery décor; nursery; homeschool preschool; homeschool furniture; school tables