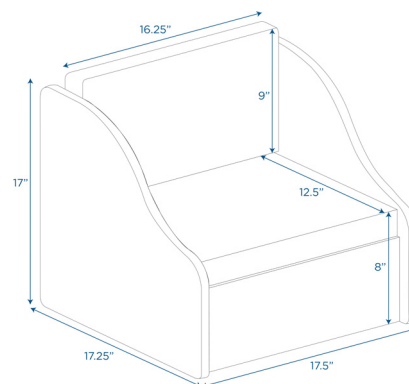




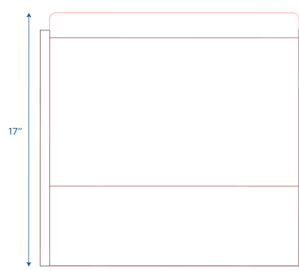
## Value Line™ Chair

Wooden chair with seat cushions

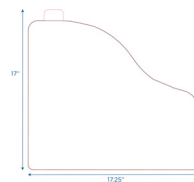
MODEL #: ANG7181



FRONT



BACK



SIDE

### OVERVIEW:

Unit ships unassembled with clear instructions, tools and hardware for easy assembly. Red seat pad and back rest are filled with 2" thick foam to provide comfort and support.

### MATERIALS:

Chair is constructed from durable, maple-faced melamine panels with a clear, water-based laminate finish that is extremely scratch-, dent- and stain-resistant. Unit features rounded corners for safety. Seat pad and back rest covered in vegan leather and are easy to wipe clean.

Digital Swatches:



Model #	Description	L"	W"	H"	WT lbs.	Cube	FC	Truck Only
ANG7181	Value Line™ Chair	17.5	17.25	17	18			N
	Shipping Dimensions	27	17	6	20	1.59	150	

### ADDITIONAL INFORMATION:

**AGE RATING:** General Use

**STANDARDS AND TEST COMPLIANCE:** N/A

**GREENGUARD GOLD CERTIFIED:** Yes

**WARRANTY:** Limited Lifetime

**KEYWORDS:** Kids sofa chair; Toddler sofa chair; Kids chair; preschool chair; Kids chairs for boys; Kids chairs for girls; reading nook; toddler chair; flexible seating; classroom chairs; toddler chairs for boys; kid chair; playroom; Kid chair; Kids sofa chair; Kids lounge chair; Toddler chairs for girls; kids desk chair; daycare; classroom; preschool; homeschool; kids chairs; nursery; classroom; furniture; daycare furniture; classroom furniture