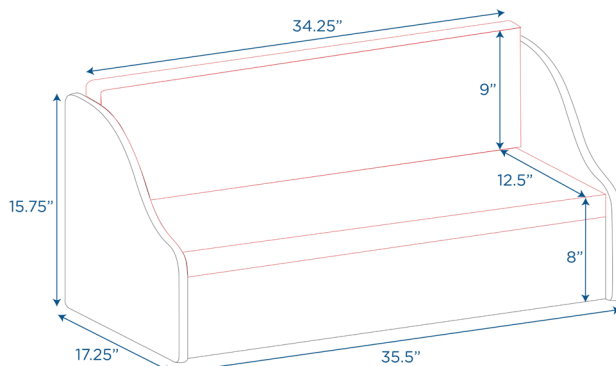


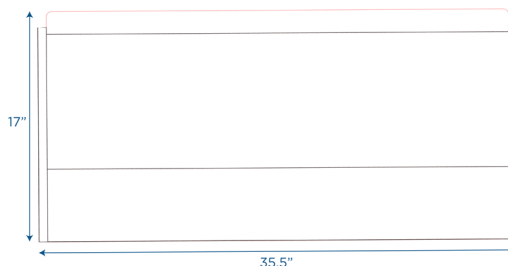


Value Line™ Sofa
Wooden sofa with seat cushions

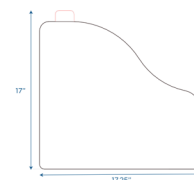
MODEL #: ANG7180



FRONT



BACK



SIDE

OVERVIEW:

Unit ships unassembled with clear instructions, tools and hardware for easy assembly. Red seat pad and back rest are filled with 2" thick foam to provide comfort and support.

MATERIALS:

Sofa is constructed from durable, maple-faced melamine panels with a clear, water-based laminate finish that is extremely scratch-, dent- and stain-resistant. Unit features rounded corners for safety. Seat pad and back rest covered in vegan leather and are easy to wipe clean.

Digital Swatches:



Model #	Description	L"	W"	H"	WT lbs.	Cube	FC	Truck Only
ANG7180	Value Line™ Sofa	35.5	17.25	17	28.5			N
	Shipping Dimensions	40	17	8	32	3.15	150	

ADDITIONAL INFORMATION:

AGE RATING: General Use

STANDARDS AND TEST COMPLIANCE: N/A

GREENGUARD GOLD CERTIFIED: Yes

WARRANTY: Limited Lifetime

KEYWORDS: flexible seating; kids chair; toddler chair; toddler couch; daycare furniture; daycare; nursery furniture; preschool; reading nook for kids; kids reading nook; flexible seating for classroom elementary; classroom furniture; preschool; kids chairs; kid chair; flexible seating for classroom; toddler chairs for boys; toddler chairs for girls; toddler chairs; toddler sofa chair; toddler couch for girls; toddler couch for boys