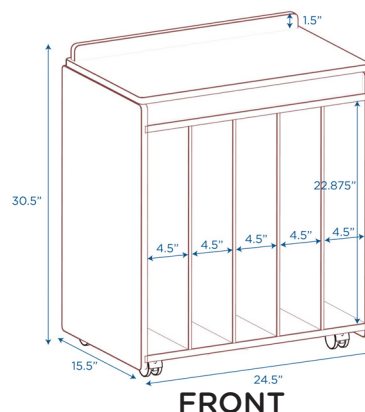




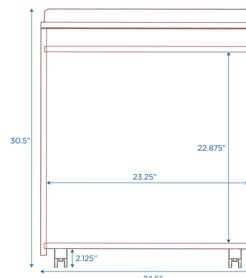
## Value Line™ Big Book Display

Wooden book display with white board and storage

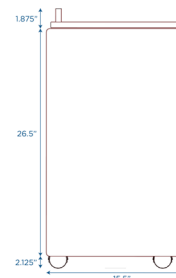
MODEL #: ANG7179



FRONT



BACK



SIDE

### OVERVIEW:

Unit ships unassembled with clear instructions, tools and hardware for easy assembly. Book Display features a large book stand with a dry-erase front and four 1-1/2" casters. Opposite side of unit has 4 removable shelf dividers to customize storage space.

### MATERIALS:

This book display is constructed from durable, maple-faced melamine panels with a clear, water-based laminate finish that is extremely scratch-, dent- and stain-resistant. Unit features rounded corners for safety.

Digital Swatches:



Model #	Description	L"	W"	H"	WT lbs.	Cube	FC	Truck Only
ANG7179	Value Line™ Big Book Display	24.5	15.5	30.5	52			N
	Shipping Dimensions	32	26	6	56	2.89	150	

### ADDITIONAL INFORMATION:

**AGE RATING:** General Use

**STANDARDS AND TEST COMPLIANCE:** SHAH00902914  
PASS Jan 2018 ASTM, CPSC, ISTA 2A

**GREENGUARD GOLD CERTIFIED:** Yes

**WARRANTY:** Limited Lifetime

**KEYWORDS:** classroom; classroom organization; preschool; daycare furniture; nursery furniture; reading nook; reading nook for kids; kids reading nook; playroom storage; playroom; playroom organization and storage; playroom furniture; homeschool; book display; book display stand; book display kids; homeschool organizers and storage; classroom storage; book bins for classroom