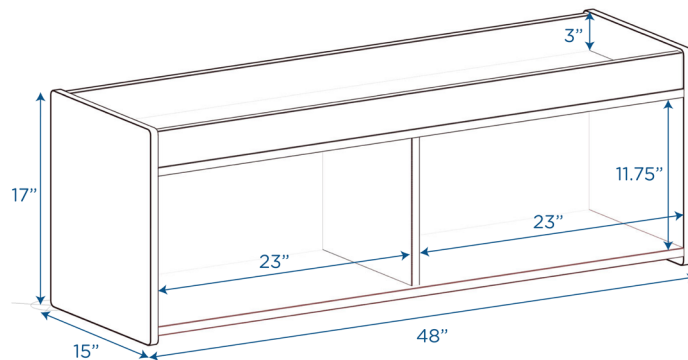




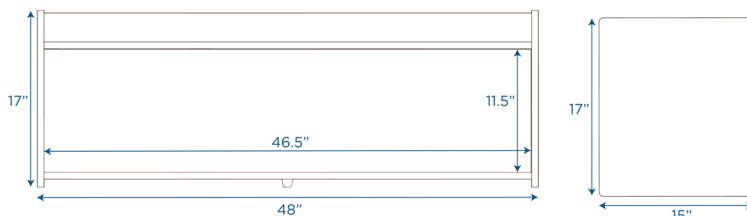
Value Line™ Toddler Storage with Mirror Back

2-shelf storage with mirror back

MODEL #: ANG7177



FRONT



BACK

SIDE

OVERVIEW:

Unit ships unassembled with clear instructions, tools and hardware for easy assembly. Storage areas measure 23"l x 11-3/4"h. Additional top storage measures 46-1/2"l x 3"h. Shatter resistant, acrylic mirror measures 46-1/2"l x 11-1/2"h.

MATERIALS:

Unit is constructed from durable, maple-faced melamine panels with a clear, water-based laminate finish that is extremely scratch-, dent- and stain-resistant. Unit features rounded corners for safety.

Digital Swatches:



Model #	Description	L"	W"	H"	WT lbs.	Cube	FC	Truck Only
ANG7177	Value Line™ Toddler Storage with Mirror Back	48	15	17	43			N
	Shipping Dimensions	52	18	4	47	2.17	150	

ADDITIONAL INFORMATION:

AGE RATING: General Use

STANDARDS AND TEST COMPLIANCE: N/A

GREENGUARD GOLD CERTIFIED: Yes

WARRANTY: Limited Lifetime

KEYWORDS: storage shelves; storage shelf; mirror; kids mirror; baby mirror; tummy time mirror; nursery furniture; reading nook; classroom organization; classroom; preschool; daycare furniture; homeschool; kids storage organizer; kids storage; kids toy storage organizer; kids toy storage; kids organizers and storage; classroom storage; playroom; book shelf organizer for kids; cubbies storage for kids; kids cubby; toy storage for toddlers; nursery book shelves