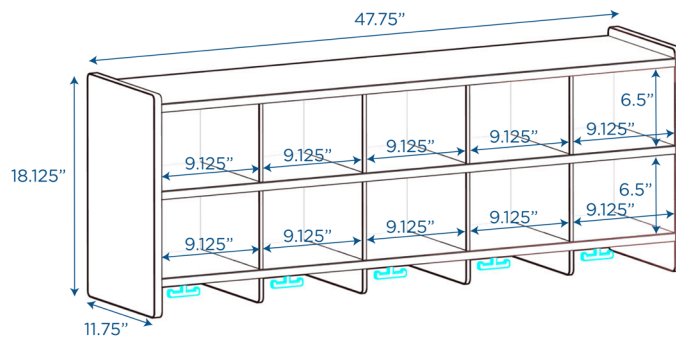




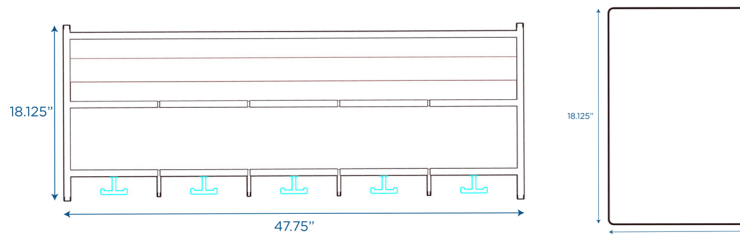
## Value Line™ 10-Section Wall Locker

Wooden wall locker with 10 cubbies and 10 metal hooks

MODEL #: ANG7160



FRONT



BACK

SIDE

**OVERVIEW:**

Unit ships unassembled with clear instructions, tools and hardware for easy assembly. Wall mount locker features 10 cubbies and 10 metal hooks for holding backpacks and coats. Cubbies measure 9"l x 6-1/2"h.

**MATERIALS:**

This 10-section wall unit is constructed from durable, maple-faced melamine panels with a clear, water-based laminate finish that is extremely scratch-, dent- and stain-resistant. Unit features rounded corners for safety.

Digital Swatches:



Model #	Description	L"	W"	H"	WT lbs.	Cube	FC	Truck Only
ANG7160	Value Line™ 10-Section Wall Locker	47.75	11.75	18.125	50			N
	Shipping Dimensions	52	14	5	53	2.11	150	

**ADDITIONAL INFORMATION:**

**AGE RATING:** General Use

**STANDARDS AND TEST COMPLIANCE:** N/A

**GREENGUARD GOLD CERTIFIED:** Yes

**WARRANTY:** Limited Lifetime

**KEYWORDS:** kids locker; locker organizer; locker organizer shelf; locker shelf organizer; locker organizer hanging; locker organization; storage locker; cubby shelving; cubby storage shelf; cubbies; school locker; storage shelves; wall storage; storage shelf; classroom storage; preschool; classroom; daycare furniture; playroom; homeschool; nursery furniture