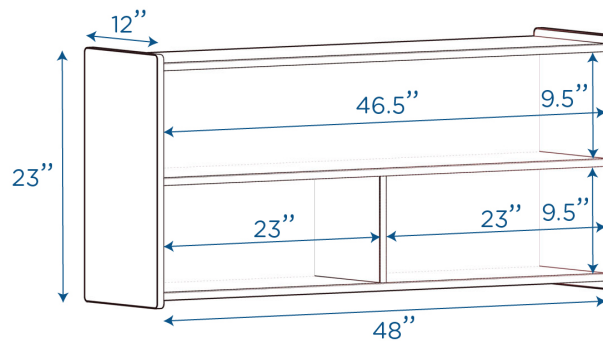




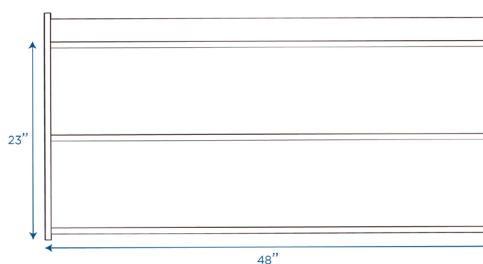
Value Line™ Toddler 2-Shelf Storage

Wooden storage shelf with 3 separate compartments

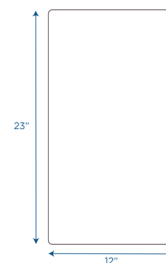
MODEL #: ANG7148



FRONT



BACK



SIDE

OVERVIEW:

Unit ships unassembled with clear instructions, tools and hardware for easy assembly. Upper storage area measures 46-1/2"l x 9-1/2"h, and lower storage areas measure 23"l x 9-1/2"h.

MATERIALS:

This 2-shelf storage unit is constructed from durable, maple-faced melamine panels with a clear, water-based laminate finish that is extremely scratch-, dent- and stain-resistant. Unit features rounded corners for safety.

Digital Swatches:



Model #	Description	L"	W"	H"	WT lbs.	Cube	FC	Truck Only
ANG7148	Value Line™ Toddler 2-Shelf Storage	48	12	23	43			N
	Shipping Dimensions	52	14	5	51	2.11	150	

ADDITIONAL INFORMATION:

AGE RATING: General Use

STANDARDS AND TEST COMPLIANCE: SHAH00902884
PASS - Jan 19, 2018; ASTM, CPSC

GREENGUARD GOLD CERTIFIED: Yes

WARRANTY: Limited Lifetime

KEYWORDS: classroom organization; classroom; preschool; daycare; homeschool; kids storage organizer; kids room organizers and storage; kids storage; kids toy storage organizer; kids toy storage; kids organizers and storage; classroom storage; daycare furniture; book shelf organizer for kids; cubbies storage for kids; kids cubby; toy storage for toddlers; nursery book shelves