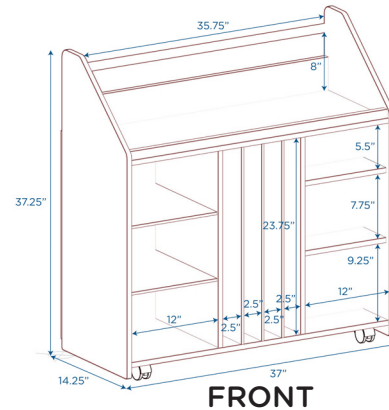




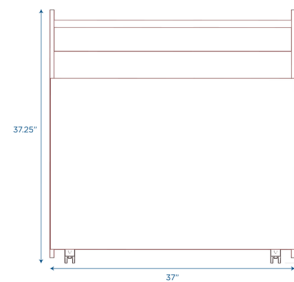
Audio Storage Unit with 3 Blue Tubs

Wooden mobile storage unit with 3 plastic tubs

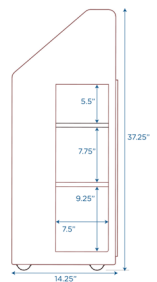
MODEL #: ANG1430



FRONT



BACK



SIDE

OVERVIEW:

Unit ships fully assembled. The top-shelf is spacious and features a heavy-duty dowel. 3 included blue tubs nestle perfectly in cubbies. Vertical, removable center dividers provide additional storage. In addition to front-side shelves, the unit also has a side shelves.

MATERIALS:

This storage unit is constructed from strong, 11-ply 5/8" thick birch veneer panels and a recessed 1/4" thick woodgrain back panel with a tough water-based clear UV that is extremely scratch-, dent- and stain-resistant. Unit features kick plates and rounded corners for safety.

Digital Swatches:



Model #	Description	L"	W"	H"	WT lbs.	Cube	FC	Truck Only
ANG1430	Audio Storage Unit with 3 Blue Tubs	37	14.25	37.25	74			Y
	Shipping Dimensions	39	39	17	80	14.96	250	

ADDITIONAL INFORMATION:

AGE RATING: General Use

STANDARDS AND TEST COMPLIANCE: N/A

GREENGUARD GOLD CERTIFIED: Yes

WARRANTY: Limited Lifetime

KEYWORDS: Classroom organization and storage for teachers, Classroom storage, classroom furniture, daycare furniture, rolling storage cart, cubbies storage shelves; cubbies for classrooms, rolling toy storage; homeschool, cubbies storage shelves; daycare furniture, Storage cart, Storage carts, Classroom cart, Rolling cart, Rolling organizer cart, Rolling cart organizer, preschool, classroom, nursery