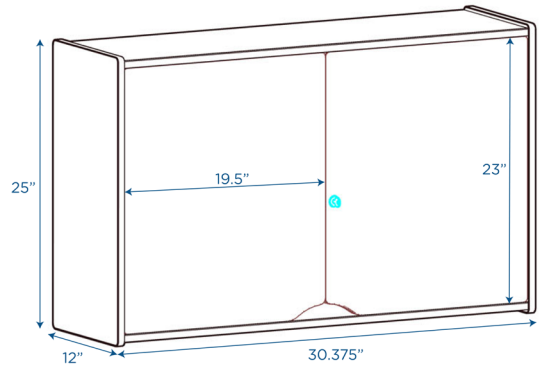




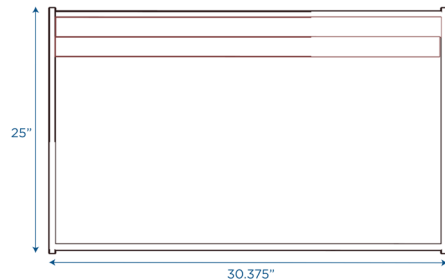
## Locking Wall Storage Cabinet

Wooden shelf storage with included lock

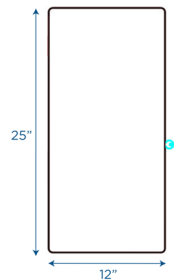
MODEL #: ANG1424



FRONT



BACK



SIDE

### OVERVIEW:

Unit ships fully assembled. Lockable cabinet has two 11-1/4" h full-length shelves, lock, and two keys.

### MATERIALS:

This storage unit is constructed from strong, 11-ply 5/8" thick birch veneer panels and a recessed 1/4" thick woodgrain back panel with a tough water-based clear UV that is extremely scratch-, dent- and stain-resistant. Unit features kick plates and rounded corners for safety.

Digital Swatches:



Model #	Description	L"	W"	H"	WT lbs.	Cube	FC	Truck Only
ANG1424	Locking Wall Storage Cabinet	30.375	12	25	46			N
	Shipping Dimensions	43	29	14	61	10.10	150	

### ADDITIONAL INFORMATION:

**AGE RATING:** General Use

**STANDARDS AND TEST COMPLIANCE:** N/A

**GREENGUARD GOLD CERTIFIED:** Yes

**WARRANTY:** Limited Lifetime

**KEYWORDS:** storage shelves; storage shelf; Changing table; nursery furniture; preschool; daycare furniture; classroom; preschool; homeschool; nursery storage; nursery; diaper storage organizer; changing table organizer hanging; diaper changing station; baby changing tables; diaper organizer shelf; diaper shelf; changing table organizer; baby changing table; changing table with drawers; diaper changing table; diaper organizer for changing table; diaper changing tables; diaper storage; baby changing table with drawers; nursery shelves