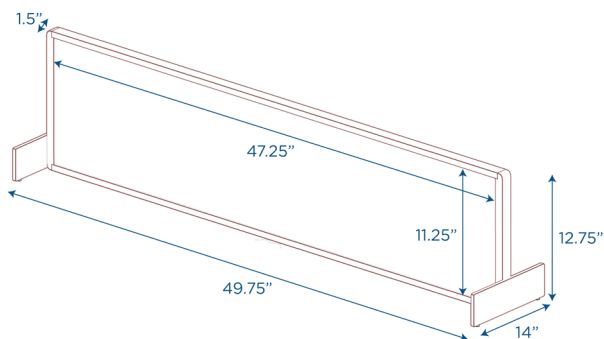


2-Position Mirror

Standing mirror with wooden frame

MODEL #: ANG1126



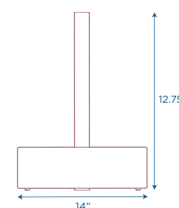
FRONT

OVERVIEW:

Safe plastic mirror is mounted in solid wood frame, and has feet that can be attached to allow the mirror to stand either vertically or horizontally. Unit ships unassembled with clear instructions, tools and hardware for easy assembly.



BACK



SIDE

MATERIALS:

The mirror features a sturdy, solid wood frame and 11-ply, birch veneer feet with a tough water-based clear UV that is extremely scratch-, dent- and stain-resistant.

Digital Swatches:



Model #	Description	L"	W"	H"	WT lbs.	Cube	FC	Truck Only
ANG1126	2-Position Mirror	49.75	14	12.75	10			N
	Shipping Dimensions	50	14	2	11	0.81	100	

ADDITIONAL INFORMATION:

AGE RATING: General Use

STANDARDS AND TEST COMPLIANCE: N/A

GREENGUARD GOLD CERTIFIED: YES

WARRANTY: Limited Lifetime

KEYWORDS: Classroom décor; Classroom decorations; Preschool classroom decorations; Tummy time mirror; Nursery décor; Baby nursery décor; Nursery wall décor; Nursery décor for girls; Baby mirror tummy time; Baby girl nursery décor; Baby boy nursery décor; Girl nursery décor; Boy nursery décor; Baby décor for nursery; Toddler mirror; Preschool decorations for classroom; Kids mirror; Shatterproof mirror; Plastic mirrors for kids; Unbreakable mirror for kids; Mirror for kids; Shatterproof mirror for kids; Tummy time floor mirror; daycare; daycare decorations; Tummy time mirror for babies