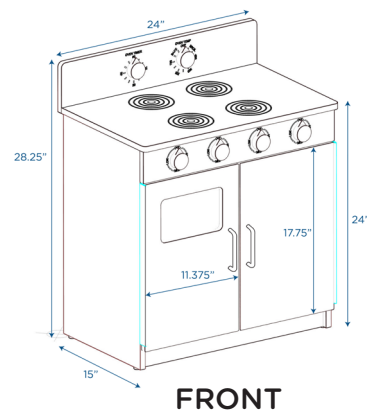


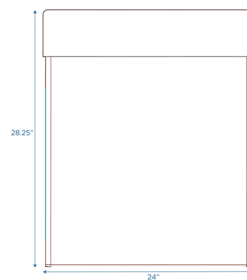
Stove

Wooden stove unit with red door pulls and hinges

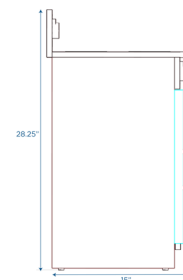
MODEL #: ANG1072



FRONT



BACK



SIDE

OVERVIEW:

Stove includes simulated, large knob controls and side-by-side oven doors with a clear plastic window. Counter height is 24”h. Stove ships fully assembled.

MATERIALS:

This refrigerator unit is constructed from strong, 11-ply 5/8” thick birch veneer panels and a recessed 1/4” thick woodgrain back panel with a tough water-based clear UV that is extremely scratch-, dent- and stain-resistant. Unit features kick plates and rounded corners for safety. All doors have no-pinch, full-length hinges designed for safety.

Digital Swatches:



Model #	Description	L”	W”	H”	WT lbs.	Cube	FC	Truck Only
ANG1072	Stove	24	15	28.25	36			N
	Shipping Dimensions	28	26	17	48	7.16	150	

ADDITIONAL INFORMATION:

AGE RATING: General Use

STANDARDS AND TEST COMPLIANCE: USA00028007
PASS July 2019 ASTM

GREENGUARD GOLD CERTIFIED: Yes

WARRANTY: Limited Lifetime

KEYWORDS: play kitchen; pretend kitchen; play kitchen for toddlers; toddler play kitchen; kids play kitchen; kids kitchen playset; kitchen kids playset; pretend play; pretend play for girls; pretend play for boys; pretend play kitchen; kids pretend play; toddler pretend play; play sink; kids play sink; play kitchen sink; toddler play sink; play fridge for kids; play fridge; play refrigerator; play refrigerator for kids; preschool; nursery furniture; daycare furniture; classroom; homeschool; playroom; play stove; play stove for kids