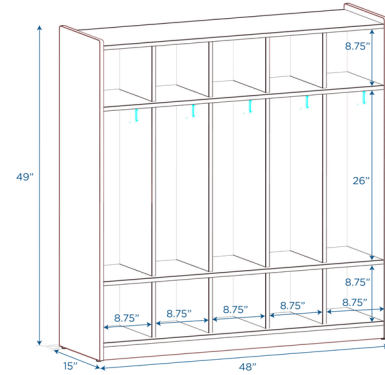




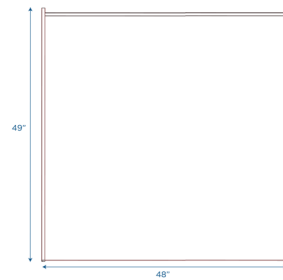
5-Section Locker

Wooden 5-Section locker with upper, and lower storage

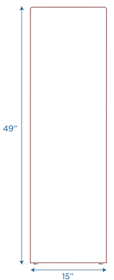
MODEL #: ANG1057



FRONT



BACK



SIDE

OVERVIEW:

Unit ships fully assembled. This unit includes 10 coat hooks. Center locker sections measure 8-3/4"l x 26"h, and cubbies measure 8-3/4"l x 8-3/4"w.

MATERIALS:

This storage unit is constructed from strong, 11-ply 5/8" thick birch veneer panels and a recessed 1/4" thick woodgrain back panel with a tough water-based clear UV that is extremely scratch-, dent- and stain-resistant. Unit features kick plates and rounded corners for safety.

Digital Swatches:



Model #	Description	L"	W"	H"	WT lbs.	Cube	FC	Truck Only
ANG1057	5-Section Locker	48	15	49	107			Y
	Shipping Dimensions	51	17	50	115	25.07	250	

ADDITIONAL INFORMATION:

AGE RATING: General Use

STANDARDS AND TEST COMPLIANCE: N/A

GREENGUARD GOLD CERTIFIED: Yes

WARRANTY: Limited Lifetime

KEYWORDS: kids locker; locker organizer; locker organizer shelf; locker shelf organizer; locker organization; storage locker; cubby shelving; cubby storage shelf; cubbies; school lockers; storage shelves; storage shelf; classroom storage; preschool; classroom; daycare furniture; playroom; homeschool; nursery furniture; shoe cubby