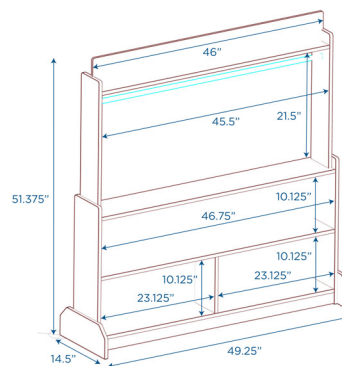




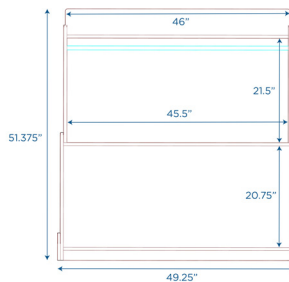
## Puppet Theatre/Store - Dry Erase

Wooden puppet theatre with back storage and whiteboard

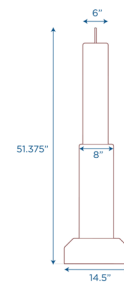
MODEL #: ANG1037W



FRONT



BACK



SIDE

### OVERVIEW:

Unit requires minor assembly and includes clear instructions, tools and hardware for easy assembly. This Puppet Theatre/Store features a dry erase marquee and front panel to customize each puppet show and includes a sliding curtain held up by a strong dowel. Large storage areas measure 46-3/4" w x 10-1/8" h, and small storage areas measure 23-1/8" w x 10-1/8" h.

### MATERIALS:

This storage unit is constructed from strong, 11-ply 5/8" thick birch veneer panels and a recessed 1/4" thick woodgrain back panel with a tough water-based clear UV that is extremely scratch-, dent- and stain-resistant. Unit features kick plates and rounded corners for safety.

Digital Swatches:



Model #	Description	L"	W"	H"	WT lbs.	Cube	FC	Truck Only
ANG1037W	Puppet Theatre/Store - Dry Erase	49.5	14.5	51.375	48			N
	Shipping Dimensions	50	30	10	51	8.68	150	

### ADDITIONAL INFORMATION:

**AGE RATING:** General Use

**STANDARDS AND TEST COMPLIANCE:** USA00021177  
Nov 2018 ASTM

**GREENGUARD GOLD CERTIFIED:** Yes

**WARRANTY:** Limited Lifetime

**KEYWORDS:** Puppet show theater for kids; Puppet theater; Pretend play for girls; daycare; pretend play for boys; Pretend play for toddlers; pretend play toddler; homeschool; classroom; playroom; daycare furniture; preschool; classroom furniture; puppets for kids; hand puppets for kids; kids puppets; hand puppets for kids with movable mouth; finger puppets for kids; ventriloquist puppets for kids; finger puppets for kids; homeschool preschool; nursery; puppets & puppet theaters; puppet theater for kids; puppet theatre for kids