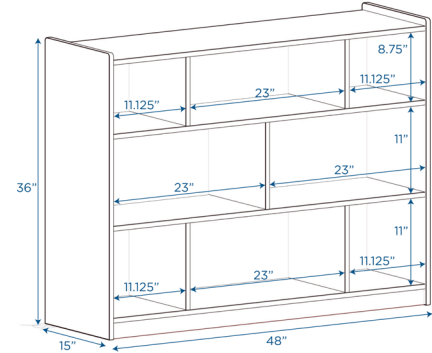


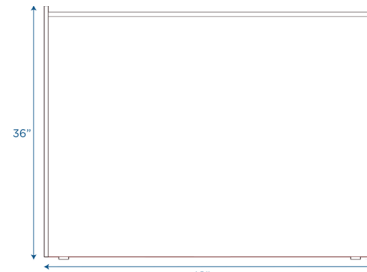
36”H Single 3-Shelf Mobile Storage

Wooden shelf storage with 8 separate storage compartments

MODEL #: ANG1009



FRONT



BACK



SIDE

OVERVIEW:

Unit ships fully assembled. Large storage areas measure 22”w x 11”h, and lower small storage areas measure 11”w x 10”h.

MATERIALS:

This storage unit is constructed from strong, 11-ply 5/8” thick birch veneer panels and a recessed 1/4” thick woodgrain back panel with a tough water-based clear UV that is extremely scratch-, dent- and stain-resistant. Unit features kick plates and rounded corners for safety.

Digital Swatches:



Model #	Description	L”	W”	H”	WT lbs.	Cube	FC	Truck Only
ANG1009	36”H Single 3-Shelf Mobile Storage	48	15	36	77			Y
	Shipping Dimensions	50	17	39	86	19.18	250	

ADDITIONAL INFORMATION:

AGE RATING: General Use

STANDARDS AND TEST COMPLIANCE: N/A

GREENGUARD GOLD CERTIFIED: Yes

WARRANTY: Limited Lifetime

KEYWORDS: storage shelves; storage shelf; nursery furniture; classroom organization; classroom; preschool; daycare furniture; kids storage organizer; cubby shelving; cubby storage shelf; shoe cubby; kids organizers and storage; kids toy storage; kids toy storage organizer; classroom storage; daycare furniture; cubbies storage for kids; kids cubby; toy storage for toddlers; nursery storage; cubbies storage shelves; classroom shelves; teacher organization for classroom; classroom organization and storage for teachers; teacher organizers and storage