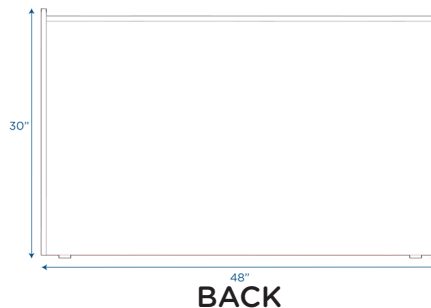
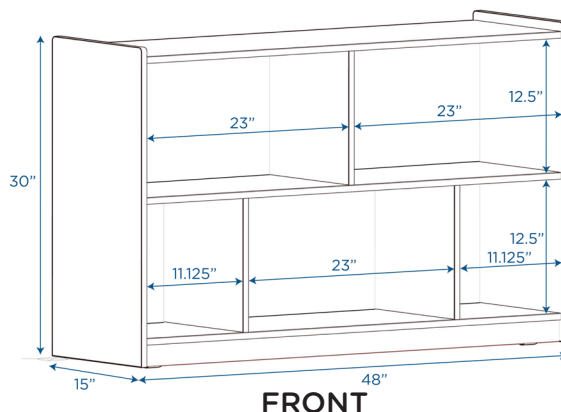




30"H Single Toy & Block Mobile Storage

Wooden shelf storage with 5 separate storage compartments

MODEL #: ANG1007



OVERVIEW:

Unit ships fully assembled. Large storage areas measure 23" w x 12-1/2" h, and small storage areas measure 11-1/8" w x 12-1/2" h.

MATERIALS:

This storage unit is constructed from strong, 11-ply 5/8" thick birch veneer panels and a recessed 1/4" thick woodgrain back panel with a tough water-based clear UV that is extremely scratch-, dent- and stain-resistant. Unit features kick plates and rounded corners for safety.

Digital Swatches:



Model #	Description	L"	W"	H"	WT lbs.	Cube	FC	Truck Only
ANG1007	30"H Single Toy & Block Mobile Storage	48	15	30	61			Y
	Shipping Dimensions	50	32	17	68	15.74	250	

ADDITIONAL INFORMATION:

AGE RATING: General Use

STANDARDS AND TEST COMPLIANCE: N/A

GREENGUARD GOLD CERTIFIED: Yes

WARRANTY: Limited Lifetime

KEYWORDS: storage shelves; storage shelf; nursery furniture; classroom organization; classroom; preschool; daycare furniture; homeschool; kids storage organizer; kids organizers and storage; kids toy storage; kids toy storage organizer; classroom storage; daycare furniture; book shelf organizer for kids; cubbies storage for kids; kids cubby; toy storage for toddlers; nursery book shelves; cubbies storage shelves; classroom shelves; teacher organization for classroom