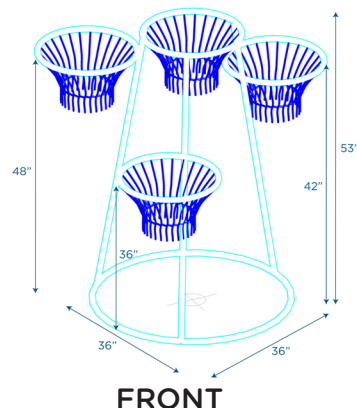


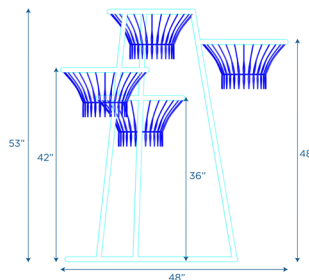
4-Rings Basketball Stand with Storage Bag

Metal basketball stand with 4 hoops and storage bag

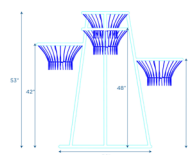
MODEL #: AFB7950



FRONT



BACK



SIDE

OVERVIEW:

Stand features 4 hoops with 18" diameters and stand at varying heights: 36"h, 42"h, 48"h, and 53"h. The 36" diameter base ensures the stand will not tip during play sessions. Storage bag for balls fits into the bottom of the stand when the unit is not in use. 4 hoop nets and 1 storage bag included with the stand. (Balls not included.) Easy assembly required.

MATERIALS:

This unit is constructed from a sturdy, powder-coated, metal frame designed to resist rust.

Digital Swatches:



Model #	Description	L"	W"	H"	WT lbs.	Cube	FC	Truck Only
AFB7950	4-Rings Basketball Stand with Storage Bag	48	36	54	22			N
	Shipping Dimensions	37.4	38.5	4.5	24.25	3.75	125	

ADDITIONAL INFORMATION:

AGE RATING: 3 Years and Up

STANDARDS AND TEST COMPLIANCE: HKGH02214664
Dec 2017 ASTM, SOR, CPSC, EN, AS/NZS, REACH

GREENGUARD GOLD CERTIFIED: NO

WARRANTY: 2 Years

KEYWORDS: kids basketball hoop, basketball hoops for kids, indoor basketball hoop for kids, basketball hoop kids, basketball hoop indoor for kids, toddler basketball hoop, Basketball hoop for toddlers 1-3, toddler basketball, toddler basketball hoop indoor, basketball hoop toddler, toddler basketball goal, outdoor play equipment for kids, kids outdoor play equipment, playground equipment