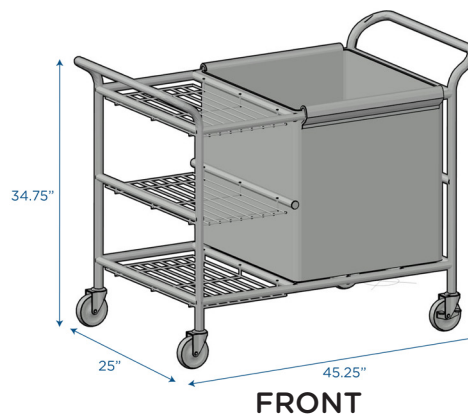


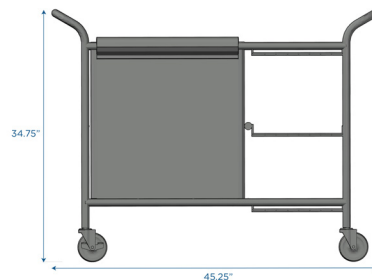
Ball Cart

Metal storage cart with storage bag

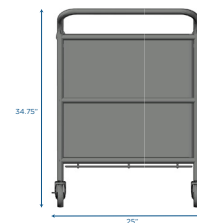
MODEL #: AFB7900



FRONT



SIDE



BACK

OVERVIEW:

Cart features 3 convenient shelves to hold small accessories such as frisbees, tennis balls, cones, jump ropes, and more. Integrated, nylon, storage bin is included. Cart features two push bars and rolls on 4 casters (2 locking) to ensure moving from space to space is effortless. (Sports equipment not included.) Easy assembly required.

MATERIALS:

Cart is constructed of sturdy, steel that resists rust. Storage bin is heavy-duty nylon.

Digital Swatches:



Model #	Description	L"	W"	H"	WT lbs.	Cube	FC	Truck Only
AFB7900	Ball Cart	45.25	25	34.75	41			N
	Shipping Dimensions	36	6	26	43	3.25	85	

ADDITIONAL INFORMATION:

AGE RATING: Adult Use Only

STANDARDS AND TEST COMPLIANCE: SZHH01393888
Ag 2019 CPSC

GREENGUARD GOLD CERTIFIED: NO

WARRANTY: 1 Year

KEYWORDS: rolling storage cart; playground equipment; school playground equipment; outdoor playground equipment; indoor playground; activity cart; indoor playground for toddlers; kids indoor playground; toddler indoor playground; basketball accessories; commercial playground equipment; rolling cart storage; basketball accessories for boys; basketball storage; sports ball storage; ball storage bin; ball storage; playground equipment for daycares; preschool; homeschool preschool; classroom; daycare; nursery