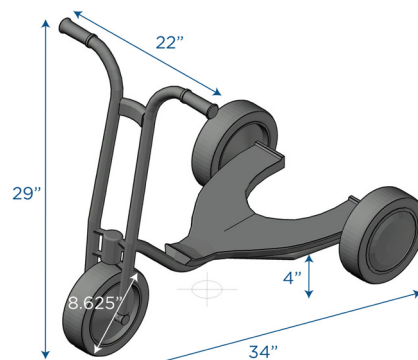




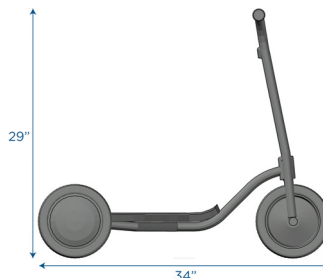
MyRider® 3-Wheel V Scooter

Steel 3-wheel scooter

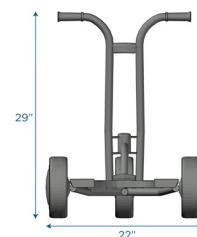
MODEL #: AFB3663



FRONT



SIDE



BACK

OVERVIEW:

3-Wheel V Scooter features a V-shaped sturdy footplate and 2 rear wheels. The footplate measures 4”h, the front wheel measures 8-5/8” in diameter, and the handlebars measure 29”h. Scooter features solid rubber tires on spokeless steel wheels and a no-pinch, recessed hub. Scooter requires easy one-bolt assembly. Each trike accommodates up to 70 lbs.

MATERIALS:

Scooter’s steel frame has a yellow, powder-coated finish designed to resist rust.

Digital Swatches:



| Model # | Description | L” | W” | H” | WT lbs. | Cube | FC | Truck Only |
|---------|----------------------------|------|------|-----|---------|------|-----|------------|
| AFB3663 | MyRider® 3-Wheel V Scooter | 34 | 22 | 29 | 23 | | | N |
| | Shipping Dimensions | 33.5 | 22.1 | 9.1 | 25 | 3.90 | 250 | |

ADDITIONAL INFORMATION:

AGE RATING: 4 Years and Up

STANDARDS AND TEST COMPLIANCE: SHAH0134135101
June 2021 SOR, EN, ASTM, CPSC

GREENGUARD GOLD CERTIFIED: NO

WARRANTY: 5 Years

KEYWORDS: Scooter; Scooter for kids ages 6-12; Scooter for kids ages 3-5; Toddler scooter; Scooters; Kids scooter; Tricycle for toddlers age 3-5; Outdoor play equipment for kids; Kids outdoor play equipment; Outdoor play equipment; Outdoor playground; Kids outdoor playground; Tricycle for toddlers age 3-5; Gross motor toys for kids; Toddler bike; Toddler balance bike; Riding toys for toddlers 1-3; Toddler ride on toys; toddler ride on toys for boys; ride on toys for 2 year old boys; Tricycles, scooters & wagons; preschool; daycare; nursery; school; classroom