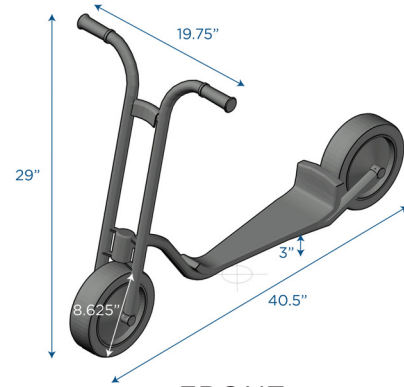


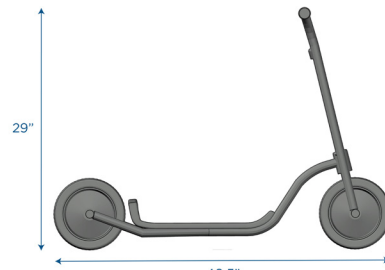


MyRider® Scooter
Steel 2-wheel scooter

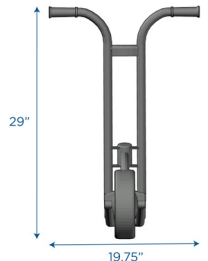
MODEL #: AFB3660



FRONT



SIDE



BACK

OVERVIEW:

Scooter features an extra-long sturdy footplate and a rear wheel guard. The footplate measures 3”h, the front wheel measures 8-5/8” in diameter, and the handlebars measure 29”h. Scooter features solid rubber tires on spokeless steel wheels and a no-pinch, recessed hub. Scooter requires easy one-bolt assembly. Each trike accommodates up to 70 lbs.

MATERIALS:

Scooter’s steel frame has a yellow, powder-coated finish designed to resist rust.

Digital Swatches:



Model #	Description	L”	W”	H”	WT lbs.	Cube	FC	Truck Only
AFB3660	MyRider® Scooter	40.5	19.75	29	15.5			N
	Shipping Dimensions	23.3	20.5	13	17	3.59	250	

ADDITIONAL INFORMATION:

AGE RATING: 4 Years and Up

STANDARDS AND TEST COMPLIANCE: USA00029911
Oct 2019 ASTM, CPSC, SOR

GREENGUARD GOLD CERTIFIED: NO

WARRANTY: 5 Years

KEYWORDS: Scooter; Scooter for kids ages 6-12; Scooter for kids ages 3-5; Toddler scooter; Scooters; Kids scooter; Tricycle for toddlers age 3-5; Outdoor play equipment for kids; Kids outdoor play equipment; Outdoor play equipment; Outdoor playground; Kids outdoor playground; Tricycle for toddlers age 3-5; Gross motor toys for kids; Toddler bike; Toddler balance bike; Riding toys for toddlers 1-3; Toddler ride on toys; toddler ride on toys for boys; ride on toys for 2 year old boys; Tricycles, scooters & wagons; preschool; daycare; nursery; school; classroom