

Ride On Hare

Hare shaped pusher

MODEL #: AFB2810

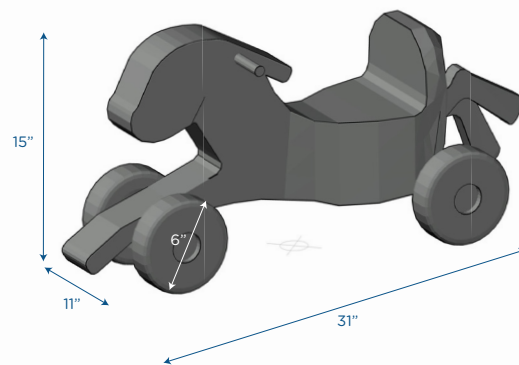


OVERVIEW:

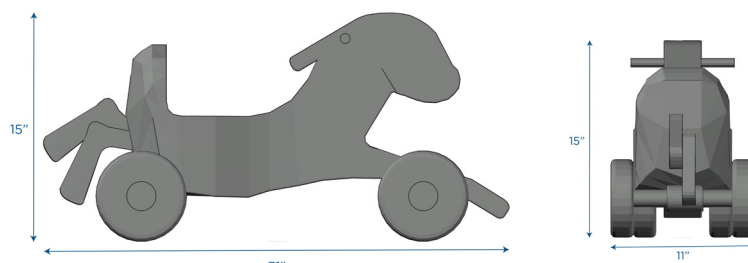
The Ride On Hare features a wide base with a heavy duty axel and 6" diameter wheels. Riders control speed and stopping with their feet.

MATERIALS:

Ride-On is constructed from a durable, one-piece, molded plastic.



FRONT



SIDE

BACK

Digital Swatches:



Model #	Description	L"	W"	H"	WT lbs.	Cube	FC	Truck Only
AFB2810	Ride On Hare	31	11	15	8.75			N
	Shipping Dimensions	32	15	12	10	3.33	250	

ADDITIONAL INFORMATION:

AGE RATING: 18 Months and Up

STANDARDS AND TEST COMPLIANCE: SZHH01284809
Sept 2018 ASTM, CPSC

GREENGUARD GOLD CERTIFIED: NO

WARRANTY: 2 Years

KEYWORDS: Childrens indoor playground; Indoor playground for kids; Kids indoor playground; Indoor playground; Indoor playground for toddlers; Ride on toys for 1 year old; Learning toys for toddlers 1-3; Learning toys; Preschool learning toys; Toddler Learning toys; Baby learning toys; Indoor toddler playground; Indoor kids playground; Balance toy; Balance toys; Gross motor toys for kids; Riding toys for toddlers 1-3; Toddler ride on toys; Ride on toys for 2 year old girls; Toddler ride on toys for boys; Toddler ride on toys; Riding toys for toddlers 1-3