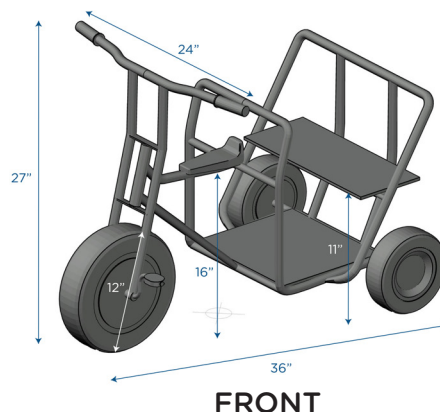




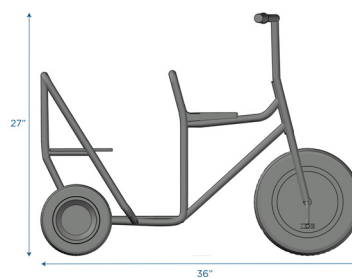
ClassicRider® Tandem Taxi

Steel trike with rear seating

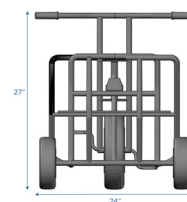
MODEL #: AFB1200



FRONT



SIDE



BACK

OVERVIEW:

ClassicRider® Tandem Taxi has a sturdy, tip-proof design, handrails for a safe ride, and a rear seat back support for 1-2 passengers. The all-terrain fat tires make this trike perfect for any location. The front seat measures 16”h, the rear seat measures 11”h, the front wheel measures 12” in diameter, and the handlebars measure 27”h. Trike features non-exposed pedal hardware, solid rubber tires on spokeless steel wheels, and a no-pinch, recessed hub. Trike requires easy one-bolt assembly. Each trike accommodates up to 140 lbs.

MATERIALS:

Trike’s steel frame has a red, powder-coated finish designed to resist rust.

Digital Swatches:



Model #	Description	L”	W”	H”	WT lbs.	Cube	FC	Truck Only
AFB1200	ClassicRider® Tandem Taxi	36	24	27	37.5			N
	Shipping Dimensions	32	25	18	40	8.33	250	

ADDITIONAL INFORMATION:

AGE RATING: 3 Years and Up

STANDARDS AND TEST COMPLIANCE: SHAH00936906
June 2018 ANSI, CPSC

GREENGUARD GOLD CERTIFIED: NO

WARRANTY: 5 Years

KEYWORDS: Scooter; Scooter for kids ages 6-12; Scooter for kids ages 3-5; Toddler scooter; Scooters; Kids scooter; Tricycle for toddlers age 3-5; Outdoor play equipment for kids; Kids outdoor play equipment; Outdoor play equipment; Outdoor playground; Kids outdoor playground; Tricycle for toddlers age 3-5; Gross motor toys for kids; Toddler bike; Toddler balance bike; Riding toys for toddlers 1-3; Toddler ride on toys; toddler ride on toys for boys; ride on toys for 2 year old boys; Tricycles, scooters & wagons; preschool; daycare; nursery; school; classroom