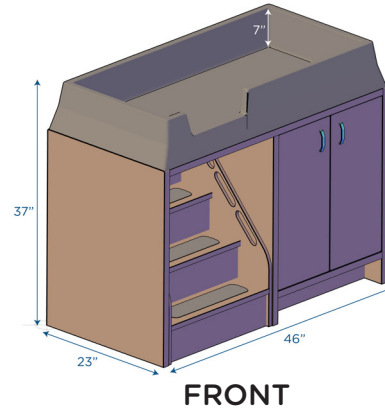


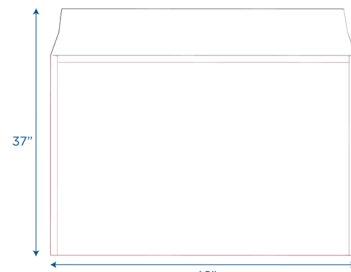
Changing Table with Locking Stairs

Changing table with molded top, stairs, and storage

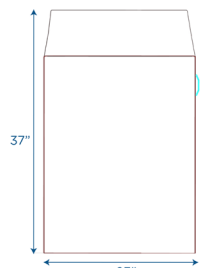
MODEL #: AEL7550



FRONT



BACK



SIDE

OVERVIEW:

Changing table features a single piece, molded top is easy to clean and maintain. Sliding doors open to reveal shelves that measure 38-3/4"l x 14-1/2"h on top and 19"l x 13-3/4"w on bottom. Changing well is a standard 7"d which meets the 6"d requirement when a 1" thick changing table pad is in the well. One white, 1" thick pad and one roll of sanitary paper is included. No assembly required.

MATERIALS:

Changing table top is constructed using molded plastic. Constructed from strong, birch veneer panels with a tough water-based clear UV that is extremely scratch-, dent- and stain-resistant.

Digital Swatches:



Model #	Description	L"	W"	H"	WT lbs.	Cube	FC	Truck Only
AEL7550	Changing Table with Locking Stairs	46	23	37	140			Y
	Shipping Dimensions	62	30	43	160	46.28	250	

ADDITIONAL INFORMATION:

AGE RATING: Accommodates Up to 100 lbs.

STANDARDS AND TEST COMPLIANCE: USA00018939
PASS Aug 23, 2018 ASTM

GREENGUARD GOLD CERTIFIED: NO

WARRANTY: 5 Years

KEYWORDS: Changing table; nursery furniture; preschool; daycare furniture; classroom; preschool; homeschool; nursery storage; nursery; diaper changing station; baby changing tables; changing table organizer; baby changing table; changing table with drawers; diaper changing table; diaper organizer for changing table; diaper changing tables; changing tables; baby changing table with drawers