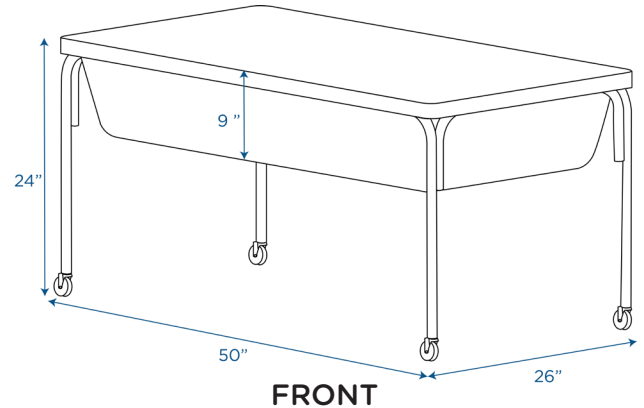




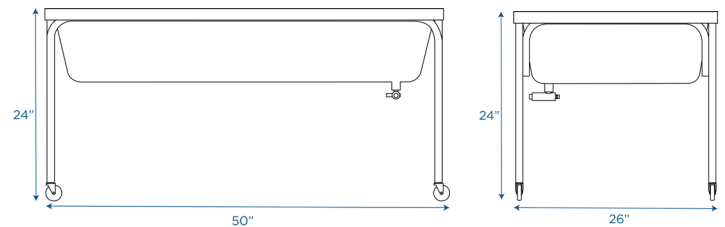
Activity Table and Lid Set - 24”h

Lightweight plastic table and lid set with casters

MODEL #: 1150-24



FRONT



FRONT

SIDE

OVERVIEW:

The set includes a table with drain valve, frame, lid and 4 casters (2 locking). This extra large table allows four to five children to play at once and is made for indoors and outdoors. We recommend using 30 lbs. of Kidfett[®] Play Pellets (Sold Separately) or 50 lbs. of sand. Assembly required.

MATERIALS:

Table and lid features a rust-resistant, galvanized steel frame with a weatherproof, plastic tub.

Digital Swatches:



Model #	Description	L"	W"	H"	WT lbs.	Cube	FC	Truck Only
1150-24	Activity Table and Lid Set - 24”h	50	26	24	35			N
	Shipping Dimensions	52.375	27	9	36.45	7.37	150	

ADDITIONAL INFORMATION:

AGE RATING: 3 Years & Up

STANDARDS AND TEST COMPLIANCE: USA00006823
Aug 2017 CPSC, Prop 65, SOR REACH,

GREENGUARD GOLD CERTIFIED: NO

WARRANTY: 2 Years

KEYWORDS: Sensory table; sensory tables; sand and water table; sensory table for toddlers 1-3; sensory table materials; kids sensory table; sensory table with lid; Autism toys for boys; learning toys; Learning toys for toddlers 1-3; kids learning toys; Preschool learning; baby learning toys; playroom; Learning toys for 4 year olds; daycare furniture; Toddler learning toys; preschool learning toys; learning toys; classroom; daycare; autism toys; autism sensory toys; classroom; toddler sensory table; sensory bin table